

(19) World Intellectual Property Organization
International Bureau



(43) International Publication Date
27 September 2001 (27.09.2001)

PCT

(10) International Publication Number
WO 01/71329 A1

(51) International Patent Classification: G01N 27/26, 33/48

(21) International Application Number: PCT/KR01/00120

(22) International Filing Date: 30 January 2001 (30.01.2001)

(25) Filing Language: Korean

(26) Publication Language: English

(30) Priority Data: 2000-14424 22 March 2000 (22.03.2000) KR

(71) Applicant (for all designated States except US): ALL MEDICUS CO., LTD. [KR/KR]; Samsung Life Insurance, Kwanyang-Dong Building, 1st Floor, 1459-2, Kwanyang 2-Dong, Dongan-Gu, Anyang, Kyunggi-Do 431-062 (KR).

(72) Inventors; and

(75) Inventors/Applicants (for US only): RYU, Jun-Oh [KR/KR]; 98-9 Jongam2-Dong, Sungbuk-Gu, Seoul

136-092 (KR). LEE, Jin-Woo [KR/KR]; 402 Syunghwa-mansion, 1468-1, Gwanyang2-Dong, Dongan-Gu, Anyang, Kyunggi-Do 431-062 (KR). CHOI, In-Hwan [KR/KR]; 401-1403, Dal-vit Macul, Hwa-jeong-Dong, Deokyang-Gu, Koyang, Kyunggi-Do 412-270 (KR).

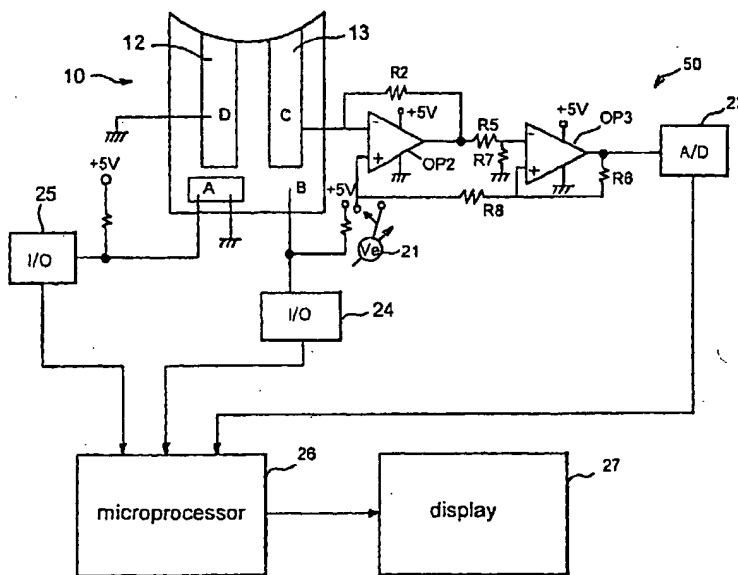
(74) Agents: CHO, Heum-O et al.; HO & CHO International Patent & Law Office, Seo-won Building, 4th Floor, 1699-1 Seocho-Dong, Seocho-Gu, Seoul 137-070 (KR).

(81) Designated States (national): AE, AG, AL, AM, AT, AU, AZ, BA, BB, BG, BR, BY, BZ, CA, CH, CN, CR, CU, CZ, DE, DK, DM, DZ, EE, ES, FI, GB, GD, GE, GH, GM, HR, HU, ID, IL, IN, IS, JP, KE, KG, KP, KZ, LC, LK, LR, LS, LT, LU, LV, MA, MD, MG, MK, MN, MW, MX, MZ, NO, NZ, PL, PT, RO, RU, SD, SE, SG, SI, SK, SL, TJ, TM, TR, TT, TZ, UA, UG, US, UZ, VN, YU, ZA, ZW.

(84) Designated States (regional): ARIPO patent (GH, GM, KE, LS, MW, MZ, SD, SL, SZ, TZ, UG, ZW), Eurasian patent (AM, AZ, BY, KG, KZ, MD, RU, TJ, TM), European patent (AT, BE, CH, CY, DE, DK, ES, FI, FR, GB, GR, IE,

[Continued on next page]

(54) Title: ELECTROCHEMICAL BIOSENSOR READOUT METER



(57) Abstract: An Electrochemical biosensor readout meter which can do selectively quantitative analysis of sample of living body such as blood sugar, cholesterol and other elements in blood is disclosed. It is an object of this invention to provide electrochemical biosensor readout meter which has no distortion in peak current and can be manufactured in a low cost. In a preferred embodiment of present invention, a voltage converting means (OP2) is set to convert peak current which occurs at 3rd voltage applying time (t3) into voltage with no distortion and an amplifier (OP3) is set to make digital voltage signal at measuring time (t4) lower than reference voltage of A/D converter.



WO 01/71329 A1



IT, LU, MC, NL, PT, SE, TR), OAPI patent (BF, BJ, CF, CG, CI, CM, GA, GN, GW, ML, MR, NE, SN, TD, TG).

For two-letter codes and other abbreviations, refer to the "Guidance Notes on Codes and Abbreviations" appearing at the beginning of each regular issue of the PCT Gazette.

Published:

— *with international search report*

ELECTROCHEMICAL BIOSENSOR READOUT METER**TECHNICAL FIELD**

5

The present invention relates to an electrochemical biosensor readout meter which can operate quantitative analysis on specific biomaterials such as blood sugar, cholesterol and so forth.

10

BACKGROUND ART

Recently electrochemical biosensors are frequently used in medical field to analyze biomaterials including blood. Among those, enzyme-utilizing electrochemical biosensors are used most generally in hospitals and clinical labs because they are easy to apply, superior in measurement sensitivity, and allow rapid acquisition of test results. Enzyme analyzing method applied in electrochemical biosensors can be largely divided into chromophoric method which is a spectroscopic way and electrode method, an electrochemical way. Generally, the measuring time in chromophoric method takes longer than electrode method, and difficult to analyze significant biomaterials due to the measurement errors caused by the turbidity of biomaterials. Therefore, an electrode method is extensively applied in electrochemical biosensors recently. According to the method, in an electrode system established by screen printing, the quantitative measurement of a material of interest can be achieved by fixing a reagent onto the electrodes, introducing a sample, and applying an electric potential across the electrodes.

U. S. Pat. No. 5,437,999, "Electrochemical Sensor", discloses an electrochemical biosensor test strip with a precisely defined electrode field applying technologies

generally used in PCB industries adequately to an electrochemical biosensor test strip. This electrochemical biosensor test strip can operate analysis very precisely with a small amount of samples.

5 Fig. 1 is a plan view of a conventional electrochemical biosensor test strip. In Fig. 1, 11 is a recognition electrode, 12 a reference electrode, 13 a working electrode and 14 a reaction portion on which a reagent is fixed.

10 Fig. 2 is a circuit diagram of a conventional electrochemical biosensor readout meter using the test strip 10 shown in Fig. 1, Fig. 3A is a waveform of the working voltage applied to the working electrode 13 by the working voltage generating circuit 21, and Fig. 3B is
15 a waveform of the electric current flowing in the working electrode 13 depending on the introduction of sample.

Below, referring to Fig. 2 and Fig. 3, the operation of a conventional electrochemical biosensor readout meter 20 will be described. When a test strip 10
20 as shown in Fig. 1 is inserted into the readout meter 20, the voltage of point A changes into 0V from 5V. This change of voltage is recognized by a microprocessor 26 serving as a controller, and the insertion of the test strip can be detected. At this point of detecting the
25 insertion of the test strip (t_0), the microprocessor 26 controls a working voltage generating circuit 21 to apply a fixed voltage, for example 300mV, to a working electrode 13.

When blood and the like is introduced to the
30 reaction part 14(t_1), a material to be analyzed from blood reacts with a reagent, generating electric charges. And these electric charges form the electric current by the voltage which has been applied to the working electrode 13. The electric current increases depending on
35 the advance of reaction between the reagent and the material to be analyzed as shown in Fig. 3B. When the

current becomes a certain amount (i_{th}) (t_2), the microprocessor 26 controls the working voltage generating circuit 21 not to apply any voltage to the working electrode 13. The reason for waiting until the current
5 becomes a certain amount (i_{th}), is to prevent malfunctioning by noise etc.

Since the working voltage is substantially 0V, the electric charges generated by the reaction between the material to be analyzed and the reagent, cannot flow via
10 the working electrode 13, gathering around the working electrode 13. After the working voltage is substantially 0V, at the point t_3 , the working voltage of 300mv is applied to the working electrode 13. Here, the time from t_2 to t_3 is generally called 'incubation time'. The
15 electric charges gathering around the working electrode during incubation time, simultaneously come to flow via the working electrode 13, when the working voltage of 300mv is applied to the working electrode at t_3 . Therefore, as shown in Fig. 3B the peak electric
20 current (I_p) emerges at t_3 .

Referring to the circuit diagram in Fig. 2, the principle of measuring the concentration of a material to be analyzed by measuring the current flowing in the working electrode 13 is described as follows. The current
25 flowing in the working electrode 13 is converted into the voltage by the resistance (R_1) which is in feedback-loop of the output terminal and the (-)input terminal of the operational amplifier. This converted voltage is changed into a digital signal by the analogue-digital (A/D)
30 converter 23. The microprocessor 26 has in store the data on the relations of the material to be analyzed from sample to the current. The microprocessor 26 measures the concentration of the material to be analyzed, by reading the current flowing in the working electrode 13 at the
35 time of t_4 at which the peak current (I_p) has passed to some degree. The reason for measuring the concentration

of the material to be analyzed at t4, is that the value of peak current varies with the state of coupling the reagent to the reference electrode and the working electrode, although the concentration of the material to be analyzed from sample is same.

As described above, so far there was no voltage applied to the working electrode during the incubation time, so that the peak current at t3 was very high. Therefore, if the resistance R1 becomes high, the distortion of signal appears nearby t3 at which the peak current occurs corresponding to the limitation of the operational amplifier OP1, accordingly the current at t4 is also affected. Fig. 4a is the current waveform in case that the resistance R1 is so small that the current flowing in the working electrode can sufficiently flow nearby t3. And Fig. 4b is the current waveform in case that the resistance R1 is so large that the current flowing in the working electrode cannot sufficiently flow nearby t3. In this case, the value of peak current varies with the state of coupling the reagent to the reference electrode and the working electrode so that the current measured at t4 varies with the test strip used. Accordingly, there was the problem of reproduction. Also, if the resistance R1 is decreased so as to let a large peak current flow without distortion, the waste of expenses is occurred since the voltage measured at t4 is relatively much smaller than the voltage at t3 and every bit of A/D converter 23 cannot be used.

Besides, a conventional biosensor readout meter used only one operational amplifier OP1 so as to convert the current flowing in electrodes into the voltage, as shown in Fig. 2. For example, when the reference voltage of the A/D is 3.7V, the value of the resistance R1 100k Ω and the (+)power supply voltage of the operational amplifier 5V, the current range measurable at t4 is 0<i>37 μ A and the maximum value of peak current allowable

in the operational amplifier is $50\mu\text{A}$. If the value of peak current is to be raised, the maximum current range measurable at the time of t_4 becomes higher than $37\mu\text{A}$. In case the conversion bit of the A/D converter 23 is 8bit, if the maximum range of current grows larger, the resolution grows worse. Therefore, to gain the preferable resolution the conversion bit should be raised. In such a case, since an expensive A/D converter should be used there was the problem of a rise in expenses.

10

DISCLOSURE OF THE INVENTION

An object of the present invention is to provide an electrochemical biosensor readout meter which does not cause the distortion of peak current so that the reproducibility is improved.

Also, another object of the present invention is to provide an electrochemical biosensor readout meter with high resolution at low expense.

To achieve the objects as described above, this invention is characterized in a readout meter using the electrochemical biosensor test strip provided with an insulating substrate, a reference electrode and a working electrode formed parallel in a lengthwise direction on the insulating substrate, and a reagent which is fixed over the reference electrode and the working electrode on the insulating substrate, and generates electric charges corresponding to the concentration of a specific material to be analyzed by reacting to this material depending on the insertion of sample, comprising:

a working voltage generating circuit applying a working voltage to the working electrode; a voltage converting device converting the electric current flowing through the working electrode into voltage; an amplifier outputting an analogue voltage signal, amplifying the converted voltage from the voltage converting device; an

A/D converter converting the analogue voltage signal from the amplifier into a digital voltage signal; a controller which operates the working voltage generating circuit to apply a first voltage to the working electrode when the test strip is inserted into the readout meter(t0), to apply a second voltage to the working electrode for a fixed period of time after a certain time(t2) when the sample is inserted(t1), then(t3) operates the working voltage generating circuit to apply a third voltage to the working electrode, and measures the concentration of the material to be analyzed by reading the digital voltage signal from the A/D converter after a certain time(t4) from the applying point of the third voltage(t3); wherein the voltage converting device is set to convert the peak in the current generated at the applying point of the third voltage(t3) into the corresponding voltage without distortion, and the amplifier is set to make the digital voltage signal at the measuring point(t4) become below the reference voltage of the A/D converter.

Also, this invention is characterized in a readout meter using the electrochemical biosensor test strip provided with an insulating substrate, a reference electrode and a working electrode formed parallel in a lengthwise direction on the insulating substrate, and a reagent which is fixed over the reference electrode and the working electrode on the insulating substrate, and generates electric charges corresponding to the concentration of a specific material to be analyzed by reacting to this material depending on the insertion of sample, comprising:

a working voltage generating circuit applying a working voltage to the working electrode; a voltage converting device converting the electric current flowing through the working electrode into a analogue voltage signal; an A/D converter converting the analogue voltage

signal from the voltage converting device into a digital voltage signal; a controller which operates the working voltage generating circuit to apply a first voltage to the working electrode when the test strip is inserted into the readout meter(t_0), to apply a second voltage to the working electrode for a fixed period of time after a certain time(t_2) when the sample is inserted(t_1), then(t_3) operates the working voltage generating circuit to apply a third voltage to the working electrode, and measures the concentration of the material to be analyzed by reading the digital signal from the A/D converter after a certain time(t_4) from the applying point of the third voltage(t_3); wherein the second voltage is not substantially 0V and smaller than the first voltage.

In accordance with the present invention, it is possible to provide an electrochemical biosensor readout meter with high reproducibility by preventing the distortion of the peak current. Also, it is possible to provide an electrochemical biosensor readout meter with high resolution at low expense.

BRIEF DESCRIPTION OF THE INVENTION

Fig. 1 is a plan view of a conventional electrochemical biosensor test strip.

Fig. 2 is a circuit diagram of a conventional electrochemical biosensor readout meter.

Fig. 3A shows a waveform of a conventional working voltage, and Fig. 3B is a waveform illustrating the current flowing through the working electrode.

Fig. 4 shows a waveform of the current flowing through the working electrode, illustrated as the peak current distorted.

Fig. 5 is a circuit diagram of an electrochemical biosensor readout meter in accordance with an embodiment of the present invention.

Fig. 6A shows the waveform of the working voltage according to the present invention, Fig. 6B is a waveform illustrating the current flowing through the working electrode

5

BEST MODES FOR CARRYING OUT THE INVENTION

Hereinafter, an embodiment of the present invention will be described in detail with reference to the accompanying drawings.

Fig. 5 shows a circuit diagram of the electrochemical biosensor readout meter according to this invention. Like reference numerals are used for like components shown in Fig. 2. Compared with the conventional electrochemical biosensor readout meter shown in Fig. 2, the present invention is different in that the operational amplifier converting the current flowing through the working electrode 13 into the voltage, and inputting this voltage to the A/D converter 23, is composed of two stages while the conventional one is composed of one stage.

Fig. 6A is a waveform of the working voltage applied to the working electrode, and Fig. 6B shows a waveform of the current flowing through the working electrode in accordance with this invention.

Referring to Fig. 5 and Fig. 6, the operation will be described in detail. When the test strip 10 is inserted into the readout meter 50 (t₀), the value of point A is turned into 0V from 5V by the recognition electrode 11, and the microprocessor 26 recognizes by the change of voltage whether the test strip 10 is inserted. At this time, as shown in Fig. 6A, the microprocessor 26 operates the voltage generating circuit 43 to apply 300mV to the working electrode 13. And waits until the blood is inserted into the reaction part 14 of the test strip 10. When the blood is inserted into the reaction part 14

of the test strip 10 (t1), as shown in Fig. 6A, the microprocessor 26 waits till the current flowing in the test strip 10 becomes more than a fixed value (t2), distinguishes the insertion of the blood, and operates
5 the working voltage generating circuit 21 to apply 74mV, not substantially 0V, as a working voltage to the working electrode 13 of the test strip 10.

In Fig. 5, the first operational amplifier OP2 is to determine the peak current, and the second operational
10 amplifier OP3 is to determine the maximum current which the A/D 23 can measure. When the peak current is called I_p and the voltage applied to the (+)power supply terminal of the operational amplifier OP2 is +5V, I_p is determined as $I_p = 5/R_2$. In case R_2 is $10K\Omega$, I_p is $500\mu A$.
15 When R_5 is set to equal R_8 and R_6 is R_7 , the amplification factor of the second operational amplifier OP3 is R_6/R_8 . Therefore, the amplification factor of the current which the A/D converter 23 reads, equals R_2R_6/R_8 .
Accordingly, when R_2 is set to $10k\Omega$, R_6 $470k\Omega$, and R_8
20 $51k\Omega$, the maximum current which can be read at t_4 is $3.7/(10k*470K/51K)$, that is $40.1\mu A$.

If the peak current (I_p) becomes larger, it is practicable to decrease R_2 and control the ratio of R_6/R_8 , so that the peak current (I_p) and the maximum current read
25 at t_4 can be independently controlled. Therefore, as shown in Fig. 6B, the current waveform of which the peak current is distortionless, can be achieved.

In the present invention, as shown in Fig. 6A, the working voltage of 74mV was applied, not 0V, for the
30 incubation time. Thereby, the current generated by the chemical reactions is exhausted little by little for the incubation time so that the peak current (I_{P3}) of Fig. 6B becomes smaller than the peak current (I_{P0}) of the time when 0V is applied. Therefore, in case of measuring the
35 same concentration, the peak current is constant. Accordingly, the reproduction can be better as the

measurement is repeated because the value measured at t_4 becomes constant.

CLAIMS

1. A readout meter using the electrochemical biosensor test strip provided with an insulating substrate, a reference electrode and a working electrode formed parallel in a lengthwise direction on the insulating substrate, and a reagent which is fixed over the reference electrode and the working electrode on the insulating substrate, and generates electric charges corresponding to the concentration of a specific material to be analyzed by reacting to this material depending on the insertion of sample, comprising:
- a working voltage generating circuit applying a working voltage to the working electrode;
 - a voltage converting device converting the electric current flowing through the working electrode into voltage;
 - an amplifier outputting an analogue voltage signal, amplifying the converted voltage from the voltage converting device;
 - an A/D converter converting the analogue voltage signal from the amplifier into a digital voltage signal; and
 - a controller which operates the working voltage generating circuit to apply a first voltage to the working electrode when the test strip is inserted into the readout meter(t_0), to apply a second voltage to the working electrode for a fixed period of time after a certain time(t_2) when the sample is inserted(t_1), then(t_3) operates the working voltage generating circuit to apply a third voltage to the working electrode, and measures the concentration of the material to be analyzed by reading the digital voltage signal from the A/D converter after a certain time(t_4) from the applying point of the third voltage(t_3);
- wherein the voltage converting device is set to

convert the peak in the current generated at the applying point of the third voltage(t3) into a corresponding voltage without distortion, and the amplifier is set to make the digital voltage signal at the measuring time(t4) become below the reference voltage of the A/D converter.

2. The electrochemical biosensor readout meter as set forth in claim 1,

wherein the third voltage is the same as the first voltage is.

3. The electrochemical biosensor readout meter as set forth in claim 1 or claim 2,

wherein the second voltage is not substantially 0V, and less than the first voltage.

4. A readout meter using the electrochemical biosensor test strip provided with an insulating substrate, a reference electrode and a working electrode formed parallel in a lengthwise direction on the insulating substrate, and a reagent which is fixed over the reference electrode and the working electrode on the insulating substrate, and generates electric charges corresponding to the concentration of a specific material to be analyzed by reacting to this material depending on the insertion of sample, comprising:

a working voltage generating circuit applying a working voltage to the working electrode;

a voltage converting device converting the electric current flowing through the working electrode into an analogue voltage signal;

an A/D converter converting the analogue voltage signal from the voltage converting device into a digital voltage signal; and

a controller which operates the working voltage generating circuit to apply a first voltage to the working electrode when the test strip is inserted into the readout meter(t0), to apply a second voltage to the working electrode for a fixed period of time after a

certain time(t2) when the sample is inserted(t1), then(t3) operates the working voltage generating circuit to apply a third voltage to the working electrode, and measures the concentration of the material to be analyzed
5 by reading the digital signal from the A/D converter after a certain time(t4) from the applying point of the third voltage(t3);

wherein the second voltage is not substantially 0V, and less than the first voltage.

10 5. The electrochemical biosensor readout meter as set forth in claim 4,

wherein the third voltage is the same as the first voltage is.

1/6

FIG. 1

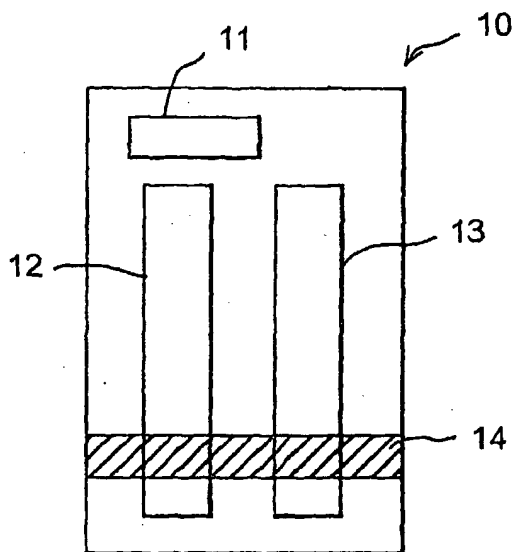


FIG. 2

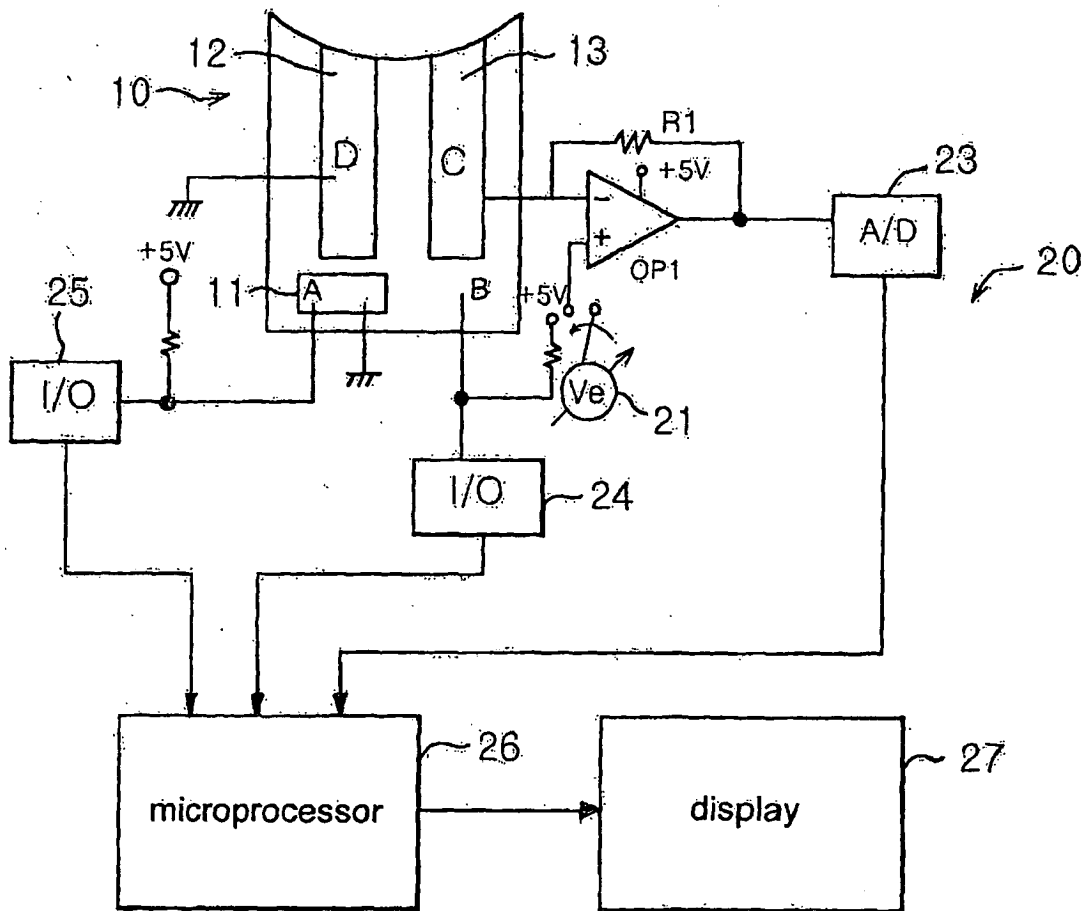


FIG. 3A

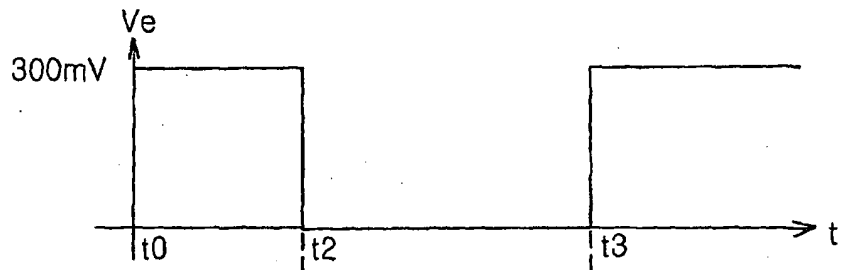


FIG. 3B

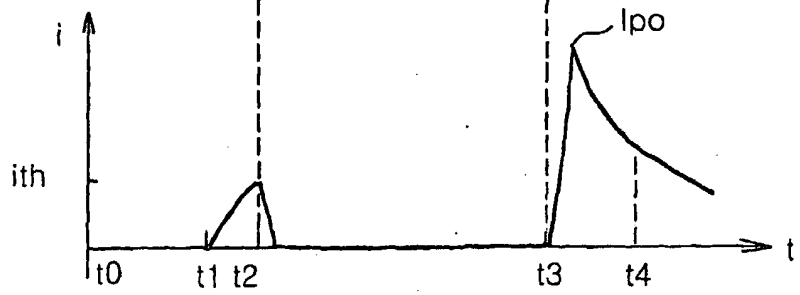
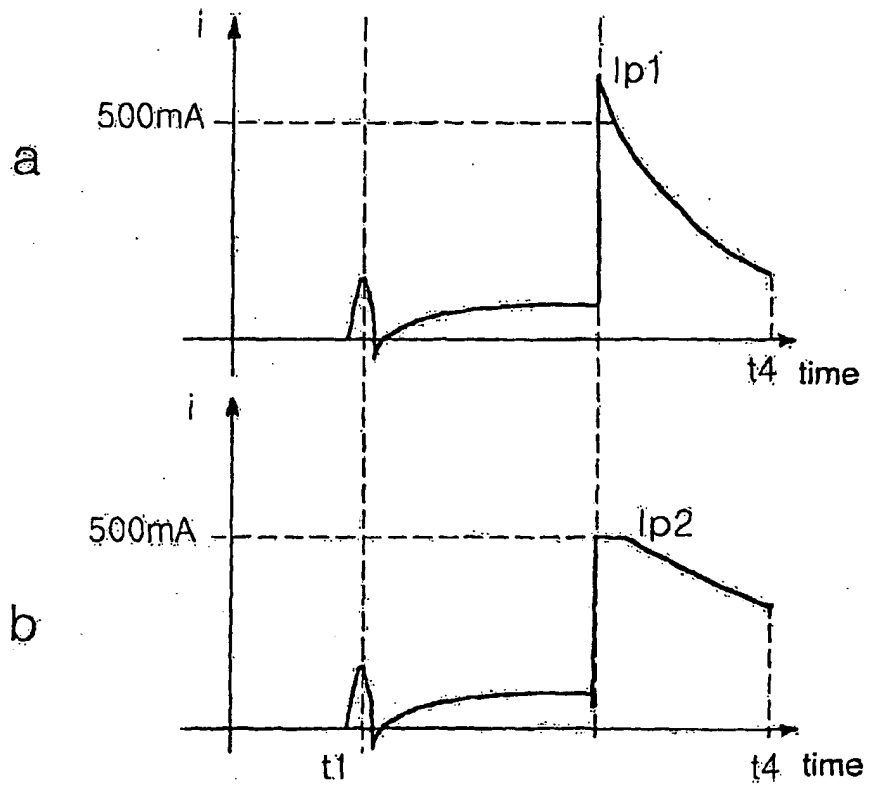


FIG. 4



5/6

FIG. 5

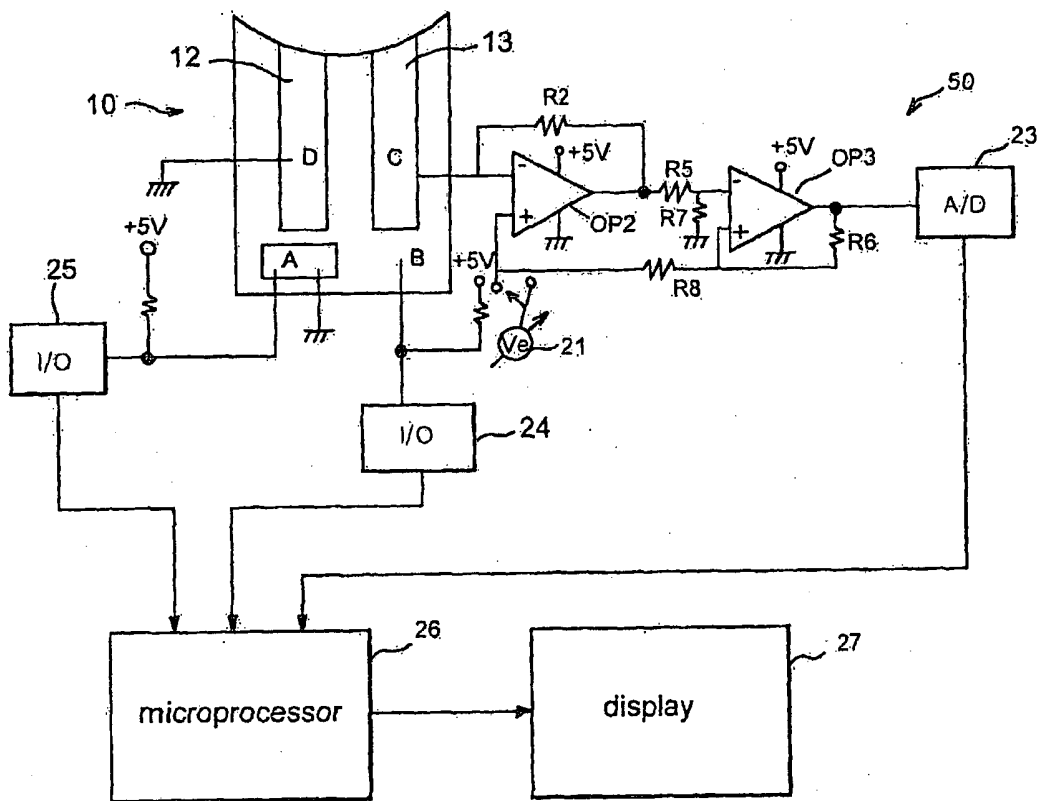


FIG. 6A

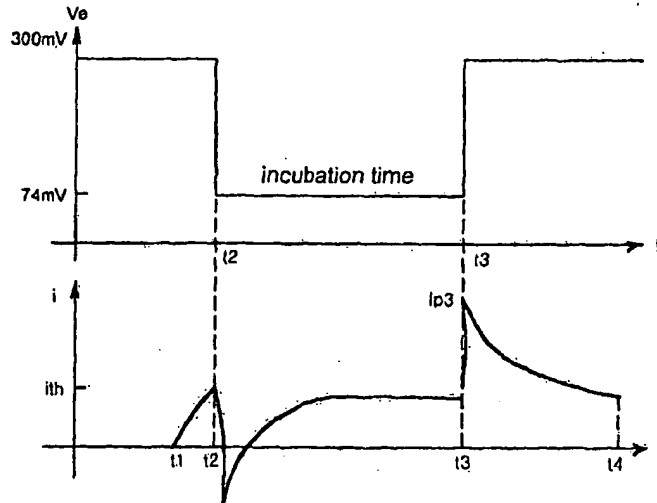


FIG. 6B

INTERNATIONAL SEARCH REPORT

International application No.

PCT/KR01/00120

A. CLASSIFICATION OF SUBJECT MATTER IPC7 G01N 27/26, G01N 33/48 According to International Patent Classification (IPC) or to both national classification and IPC		
B. FIELDS SEARCHED Minimum documentation searched (classification system followed by classification symbols) IPC7 G01N 27, 33, 27/26, 27/327, 33/48 Documentation searched other than minimum documentation to the extent that such documents are included in the fields searched Korean Patents and applications for inventions since 1975 Korean Utility models and applications for Utility models since 1975 Electronic data base consulted during the international search (name of data base and, where practicable, search terms used)		
C. DOCUMENTS CONSIDERED TO BE RELEVANT		
Category*	Citation of document, with indication, where appropriate, of the relevant passages	Relevant to claim No.
A	JP 1-15649 A (DAIKIN IND LTD.) 19 Jan. 1989 see the abstract	1-5
A	JP 2-6733 A (DAIKIN IND LTD.) 10 Jan. 1990 see the abstract	1-5
A	US 4,999,582 A (PARKS et al.) 12 Mar. 1991 see the whole document	1-5
A	JP 3-156358 A (DAIKIN IND LTD.) 4 Jul. 1991 see the abstract	1-5
A	US 5,858,186 A (Glass, Robert S.) 12 Jan. 1999 see the whole document	1-5
<input type="checkbox"/> Further documents are listed in the continuation of Box C. <input type="checkbox"/> See patent family annex.		
* Special categories of cited documents: "A" document defining the general state of the art which is not considered to be of particular relevance "E" earlier application or patent but published on or after the international filing date "L" document which may throw doubts on priority claim(s) or which is cited to establish the publication date of citation or other special reason (as specified) "O" document referring to an oral disclosure, use, exhibition or other means "P" document published prior to the international filing date but later than the priority date claimed "T" later document published after the international filing date or priority date and not in conflict with the application but cited to understand the principle or theory underlying the invention "X" document of particular relevance; the claimed invention cannot be considered novel or cannot be considered to involve an inventive step when the document is taken alone "Y" document of particular relevance; the claimed invention cannot be considered to involve an inventive step when the document is combined with one or more other such documents, such combination being obvious to a person skilled in the art "&" document member of the same patent family		
Date of the actual completion of the international search 21 MAY 2001 (21.05.2001)		Date of mailing of the international search report 22 MAY 2001 (22.05.2001)
Name and mailing address of the ISA/KR Korean Intellectual Property Office Government Complex-Daejeon, Dunsan-dong, Seo-gu, Daejeon Metropolitan City 302-701, Republic of Korea Facsimile No. 82-42-472-7140		Authorized officer KIM, Sang Hee Telephone No. 82-42-481-5974 